



Installation and Operation Manual for 4L80E and 4L85E Transmissions

US Shift Transmission Control System instruction and operation manual.

www.USshift.com



Baumann Electronic Controls, LLC.

Phone: **(864) 646-8920**

Email: **support@usshift.com**

Address: 207 Mistr Lane, Pickens, SC 29671

This work and the ideas and processes contained herein are the exclusive property of **Baumann Electronic Controls, LLC** and may not be copied, reproduced, or distributed in any form without the express written consent of **Baumann Electronic Controls, LLC** or Karl Baumann. The technology and processes contained in this product are proprietary and may be used only on a single unit basis or as defined by the written permission of **Baumann Electronic Controls, LLC**.

vF5.7.5 © Copyright 1997 - 2019 by Baumann Electronic Controls, LLC.

All rights reserved.

US Shift Transmission Control System protected by US Patent #10,100,922.

WARRANTY

Baumann Electronic Controls, LLC. is dedicated to producing the highest quality products available in the industry and is committed to customer satisfaction. Because we have no control over the circumstances under which our products are used, we can assume no more responsibility for damages (consequential or otherwise) or defects in materials and workmanship than the original purchase price of our product. Baumann Electronic Controls, LLC. will repair or replace all defective components unconditionally for a period of five years from the date of sale. This warranty does not cover damages due to abuse, improper application, or connection of the device. After the warranty period, Baumann Electronic Controls, LLC. will service this device for a nominal fee.

APPLICATION COVERAGE

This system works with 4L80E and 4L85E automatic transmissions, as well as 4L60E, 4L65E, and 4L70E automatic transmissions from 2008 and earlier. It is recommended that you use the Baumann wiring harness with this system.

CONTENTS

Preparation	Page 4
Connecting the Essentials	Page 5
Setting up the Quick 2	Page 9
Notes on Installation	Page 11
Transmission Diagrams	Page 13
Optional Features	Page 14
Built-In Display	Page 16
Shiftware	Page 24
Important Information	Page 27
Troubleshooting Error Messages	Page 28
Contact	Page 32



READ BEFORE PROCEEDING

Before installing the Quick 2 unit, we recommend you read the manual from beginning to end. Some of the information in this manual is very important and, if the unit is improperly installed or an error messages misunderstood, could result in serious damage to your vehicle and transmission.

PREPARATION

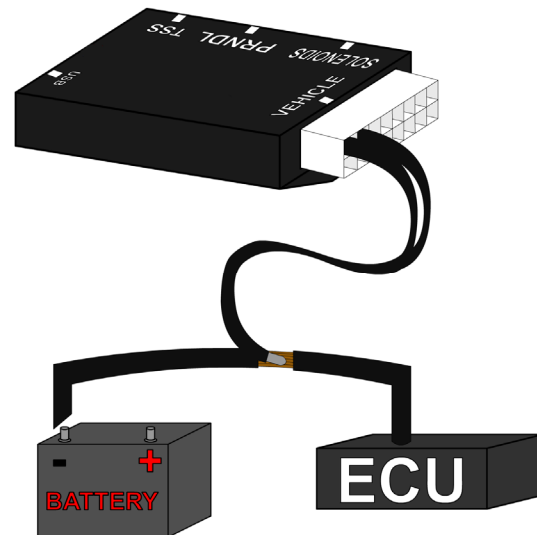
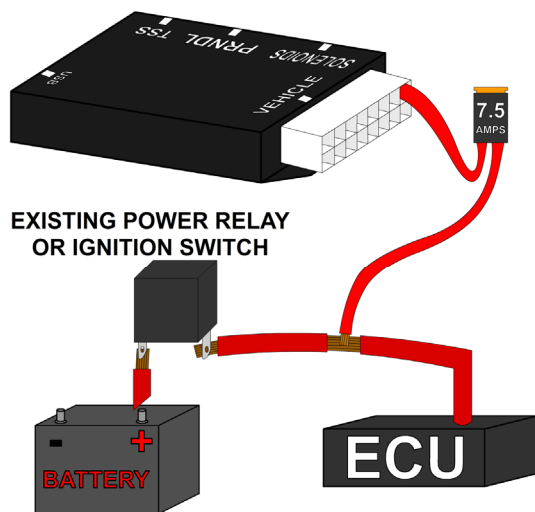
Pre-1993 4L80E transmissions use a different internal wiring harness and pass-through connector. This early harness has a problem with leaking fluid at the pass-through connector. GM recommends upgrading to the newer connector and wiring harness. Because of this, we do not provide a wiring harness for it. If you have one of these early transmissions, it will be necessary to upgrade to the 1993+ internal wiring harness.

The Bosch pressure control solenoid used in pre-1994 4L80E transmissions is not compatible with the Quick 2 controller. You will need to upgrade it to the 1994+ Holley solenoid. The older Bosch solenoid is silver, while the newer Holley solenoid is black. If your solenoid is already black, you have the right one and it doesn't need to be changed. The GM part number for the Holley pressure control solenoid is 8684216.

CONNECTING THE ESSENTIALS (ELECTRONIC FUEL INJECTION)

Step 1: Ground

Splice the ground wires (Pins 15 & 16 Black) from the Quick 2 into the main ECU (Engine Control Unit) ground wire. Do NOT connect the ground wires to sheet metal or other ground sources. The Quick 2 MUST be connected to the Main ECU ground, as close to the ECU as possible.

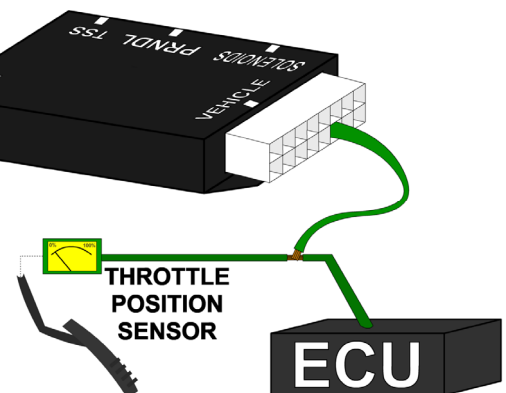


Step 2: Power

Splice the power wire (Pin 9 Red with 7.5 Amp fuse) from the Quick 2 into the main ECU (Engine Control Unit) ignition-switched power wire.

Step 3: Throttle Position Sensor or Accelerator Pedal Position Sensor

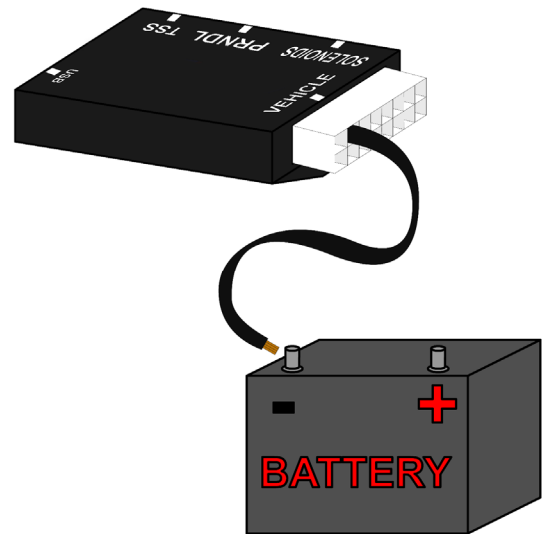
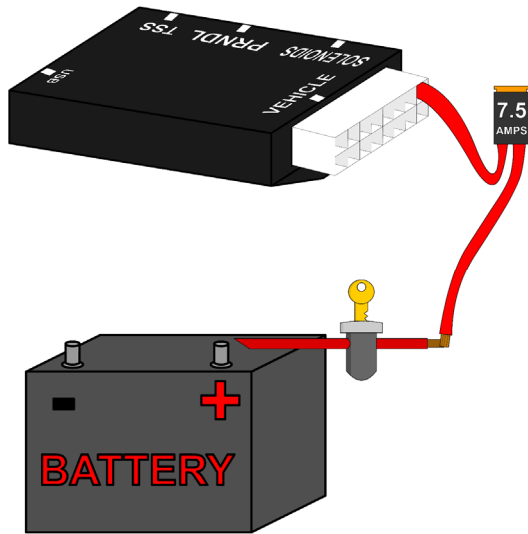
Splice the Throttle Position Sensor signal wire (Pin 3 Green) from the Quick 2 into the Throttle Position Sensor (TPS) signal input of the ECU (Engine Control Unit). If the vehicle has Electronic Throttle Control, use the Accelerator Pedal Position (APP) Sensor instead of the TPS.



CONNECTING THE ESSENTIALS (CARBURETED AND MECHANICALLY-INJECTED DIESEL)

Step 1: Ground

Connect the ground wire (Pin 15 Black) from the Quick 2 directly to the battery ground post or negative battery cable. Do NOT connect the ground wire to sheet metal or other ground sources. The Quick 2 MUST be connected directly to the battery ground post or negative battery cable.



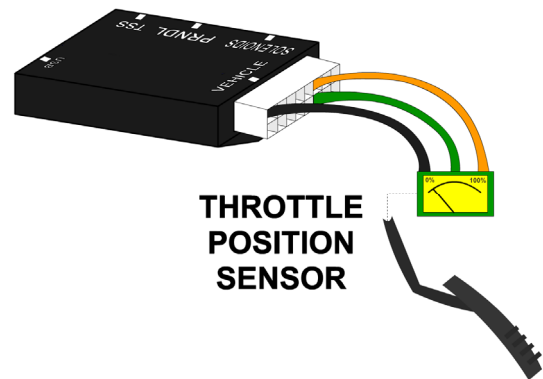
Step 2: Power

Connect the power wire (Pin 9 Red with 7.5 Amp fuse) from the Quick 2 to ignition-switched power wire. Do NOT use accessory-switched power.

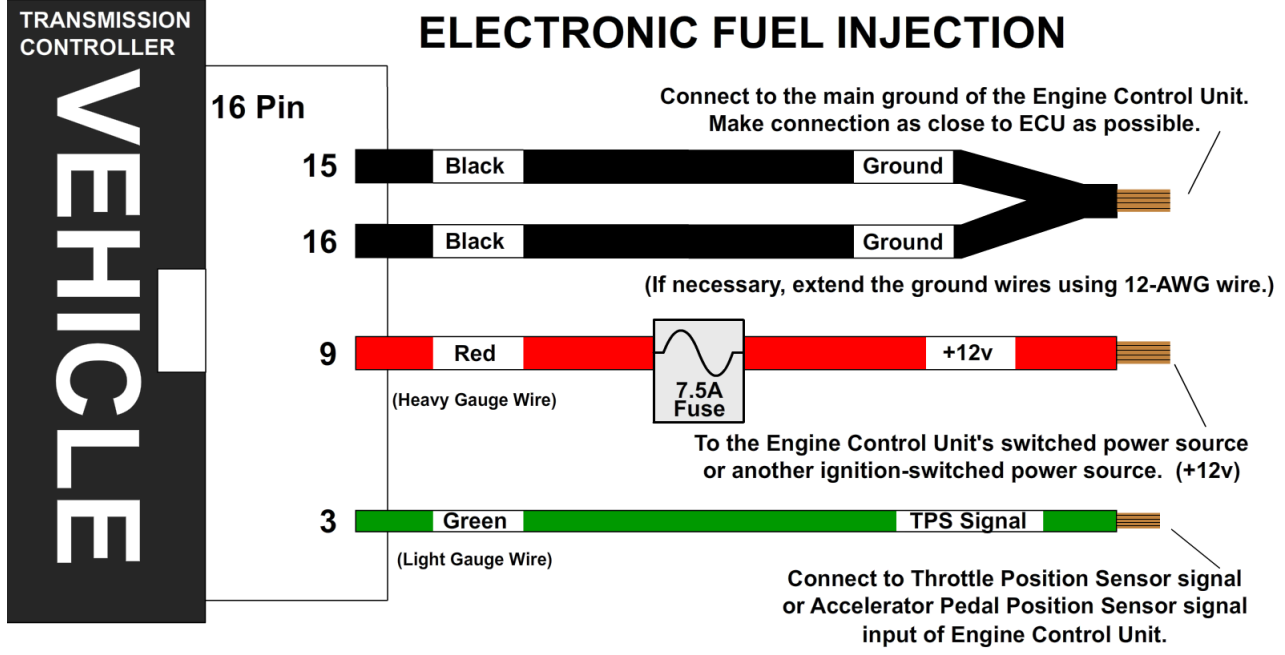
Step 3: Throttle Position Sensor

Attach the 3 Throttle Position wires from the Quick 2 to the Throttle Position Sensor. Pin 16 Black is dedicated ground. Pin 11 Orange is +5v reference feed. Pin 3 Dark Green is the position sensor signal.

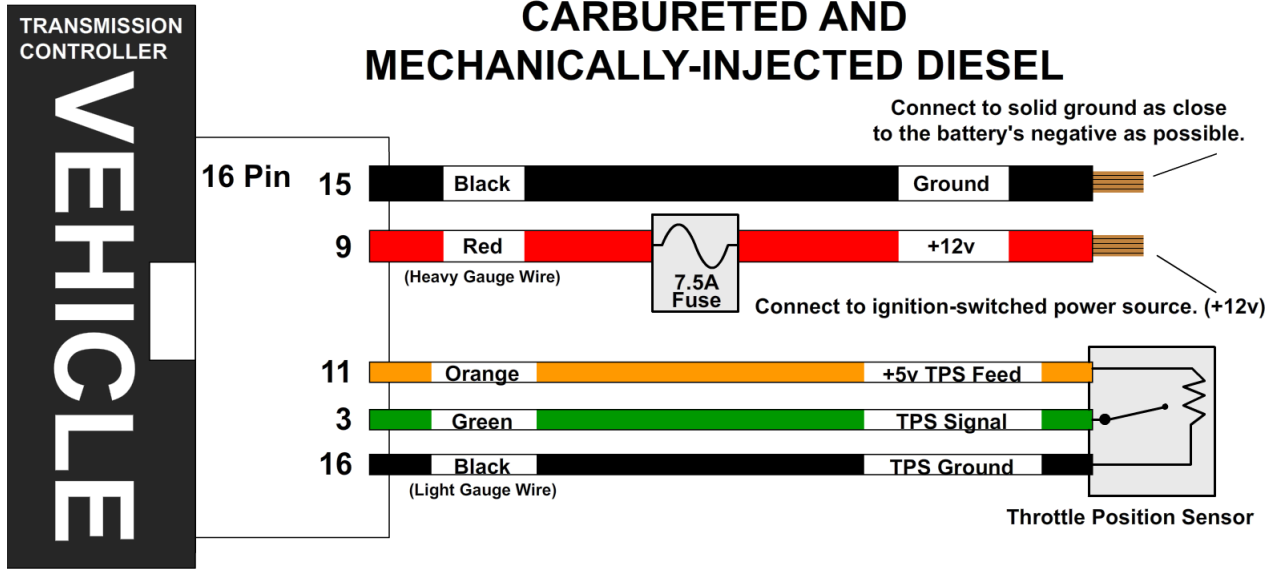
See the "Throttle Position Sensor" section for details.



BASIC VEHICLE CONNECTIONS: ELECTRONIC FUEL INJECTION

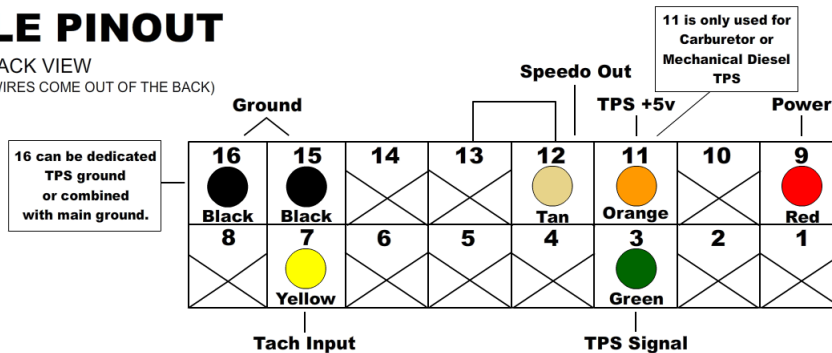


CARBURETED AND MECHANICALLY-INJECTED DIESEL



VEHICLE PINOUT

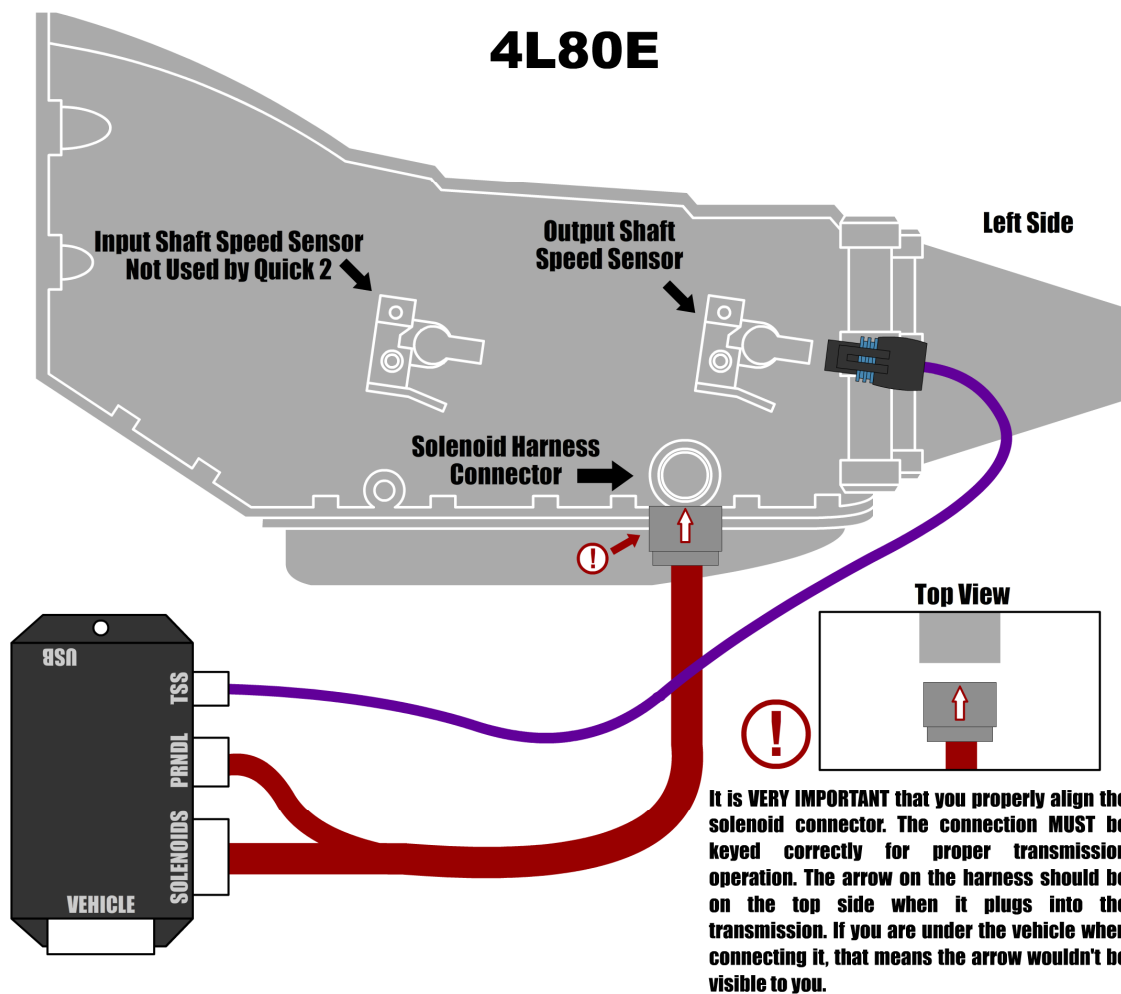
BACK VIEW
(FRONT PLUGS IN, WIRES COME OUT OF THE BACK)



Step 4: Transmission Connectors

Connect the Solenoid and TSS cables to the transmission. **THE CONNECTORS MUST BE KEYED CORRECTLY** for proper transmission operation (see the diagram below for details). Connect both TSS cables according to their labels. Additionally, connect the Neutral Safety Switch and the Backup Lamp Switch. The neutral safety switch isn't related to the Quick 2 controller or harness, but should be included in every installation.

In some 4x4 transmissions, the output speed sensor may be missing or non-functional due to lacking a tone ring. You can use a speed sensor in the transfer case instead or install a 40 pulse tone ring in the transmission. A similar type of 40 pulse sensor may be used in transfer cases that do not have a mechanical speedometer drive.



Step 5: Optional Features

Connect any extra features you wish to use. See the "Optional Features" section for details.

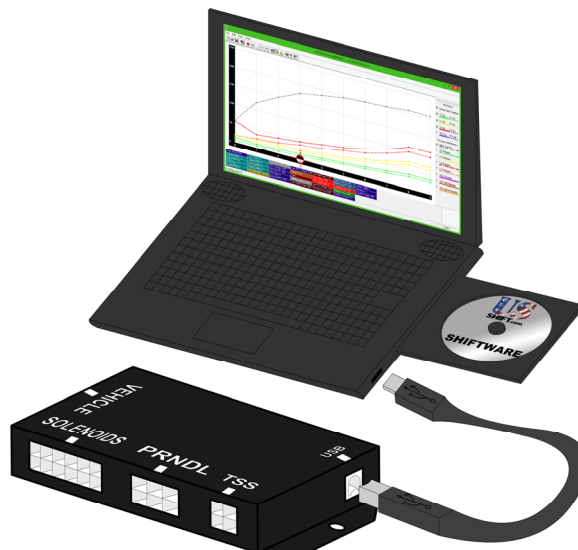
SETTING UP THE QUICK 2

Step 6: Calibration

For a detailed video walkthrough of the setup process, scan the QR code to the right using your smart phone. You can also find the video on USshift.com.



Verify that the correct calibration is loaded on the Quick 2. A standard calibration specific to your order is loaded before shipment. However, if the transmission configuration has changed since the order was placed, you'll need to connect the Quick 2 to a Windows PC and install the Shiftware Tuning Software. (See the "Shiftware" section for installation instructions.) Using the software, load the calibration that matches your transmission's configuration.



Step 7: Throttle Position Sensor Calibration

Whether you have electronic fuel injection or a carburetor, you will need to set the throttle position. To do this, use the throttle position calibration option on the built-in tuning interface. When navigating the built-in tuning interface, use the knob to move through menu items and click to choose them. If you wait on an item, the long-form name will scroll across the screen.

To calibrate throttle position, the ignition should be on but the engine not running. For carbureted engines, make sure the choke is fully open and off the fast idle cam before beginning. Turn the knob to "SET" (Set Up System) and click to enter the setup menu. "TPS" (Calibrate TPS) will be shown and you can click the knob again to enter calibration mode. It will begin detecting the idle throttle position right away, so leave the pedal untouched.

When the display scrolls "PRESS ACCEL PEDAL", push the accelerator pedal all the way to the floor and hold it. After a few seconds, "RELEASE ACCL. PEDAL" will scroll on the screen and you can release the pedal. "TPS SUCCESSFUL" will scroll if the setting completed. Afterward, it will show the measured closed and full throttle voltages. If an error occurs during calibration, the display will show the error and abort calibration. If this happens, you can try running the calibration again. If errors continue, you may need to check your wiring for problems.

Once the TPS calibration procedure is completed, the values are permanently stored in the controller and will be active for every tune written. TPS values displayed within individual tunes are then irrelevant. If you require TPS customization for individual tunes or are using a negative slope TPS, then the TPS values stored in the controller can be reset by double-clicking the knob while in TPS calibrate mode, causing the "TPS reset" message to be displayed. Our provided tuning software can then be used to calibrate TPS values for specific tunes.

Possible TPS Calibration Errors as shown on the built-in display:

ACCEL PEDAL NOT PRESSD / ACCEL PEDAL NOT HELD

The throttle wasn't pushed or held at maximum long enough for the test to complete. Accelerator pedal must be held for 3 seconds and voltage must not drop more than 0.168V below the maximum recorded value.

ACCEL PEDAL NOT RELEASED

The throttle wasn't released within 5 seconds. The voltage must drop at least 0.96V below the maximum measured WOT value.

TPS NOT STABLE

The idle throttle position has changed values too drastically over the course of the calibration. The idle voltage is more than 0.6V greater than the lowest recorded value.

ERROR TPS LO = 0.00

The voltage is below the minimum allowed 0.2V during any of the tests.

NOTES ON INSTALLATION



If any error messages or unexpected characters are displayed, refer to the troubleshooting section at the end of this manual for detailed explanations.

General Installation

The Quick 2 unit should be mounted within the passenger compartment of the vehicle in a protected location. Good mounting areas include under the dash, behind a kick panel, or under the seat, as long as the unit and wiring are not subject to damage.



Under-hood mounting is NOT possible with the Quick 2 unit. It is not waterproof or rated for under-hood temperatures.

Passenger compartment mounting is also necessary to provide easy access to the USB port, which is used to interface with a PC for programming and diagnostics, as well as the display and function control knob. For this reason, be sure to mount the unit in a way that gives easy access to the USB port, knob, and display. If you will be using a desktop PC for programming, install the unit so that it can be unplugged and moved easily.

All electrical connections should be made using 60/40 rosin core solder. Cover the connection with heat-shrinkable tubing for improved insulation and mechanical strength. Individual connector terminals can be connected using a “piggy-back” method, where the terminal is removed from the plastic connector housing to allow the new wire to be soldered on to the terminal atop the original wire. Two wires may be connected together by twisting them together longitudinally, soldering, then covering with the appropriate size heat-shrink tubing.

Before Driving the Vehicle

Start the engine and move the shifter through all positions, ensuring that the gear position and all sensor readings shown on the controller are correct. Most importantly, make sure that no error messages are shown on the Quick 2 display. It is a good idea to periodically check the Quick 2 display for errors as you drive, so it is wise to consider an accessible mounting location. If possible, perform a line pressure check to ensure that line pressure is correct at idle (typically 60 - 80PSI), and that it smoothly increases toward maximum (typically 190-240PSI) as the throttle position increases. If you have any questions about the installation or line pressure readings, please contact our technical support department.

Adaptation for Factory-Equipped Transmissions

It is possible to use the Quick 2 controller in a vehicle which was originally equipped with one of the intended transmissions. This could be done in conjunction with an engine management system upgrade that no longer supports the transmission. Use of the controller for this purpose allows flexibility in choosing the engine management system, in addition to the increased control, performance, and transmission durability afforded by Quick 2. If you retain the stock PCM/VCM, it can probably be modified or re-flashed to disable the transmission functionality.

Identifying the Terminals of an Unknown Throttle Position Sensor

This is a procedure for identifying the correct terminal connections of any potentiometer-style throttle position sensor (almost all three-terminal TP sensors). A DVOM or analog Ohmmeter is required.

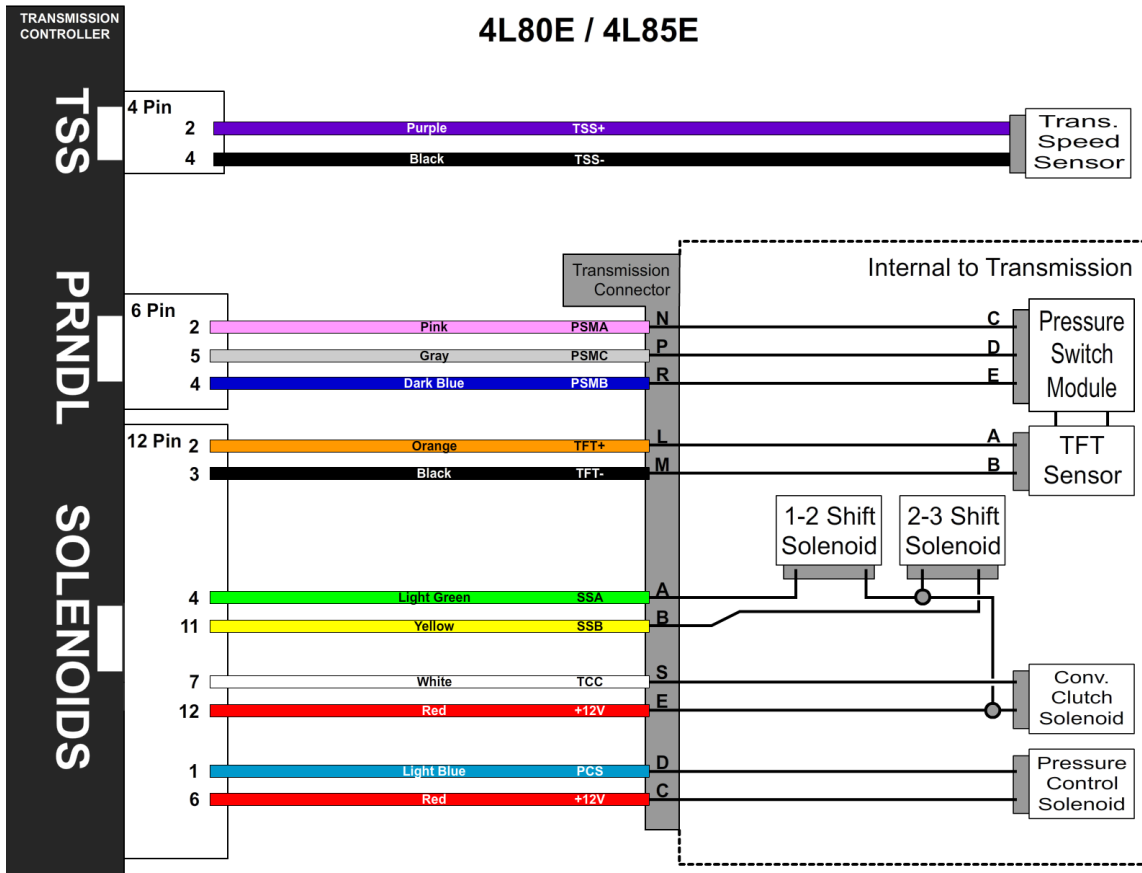
- 1.** Set the meter to resistance mode and set it to a scale that can read up to 10K or 20K Ohms (if it is not auto-ranging). Please keep in mind when setting up and reading the meter that "K" means thousands of Ohms. In other words, 15K Ohms is the same as 15,000 Ohms.
- 2.** Connect the meter to two pins at a time while operating the lever or cam of the TPS. Watch the meter while rotating the sensor. Check all three pairs of pins until you find a pair that does not change resistance when you rotate the sensor. The two pins that do not change resistance are the fixed ends of the resistance element (+5V and ground). The remaining pin that did change is known as the "wiper". It is the moving contact that slides along the resistance element to give the varying voltage. This is the output terminal of the sensor and should be connected to our green wire (Vehicle pin 3).
- 3.** Next, with the sensor at the idle or closed throttle position, measure the resistance between the wiper (output) and each of the end terminals (the two whose resistance did not change in step 2) of the sensor. The end terminal with the lowest resistance to the wiper (at idle) is the ground terminal, and should connect to the black main ground wire of the controller (Vehicle pin 16). The terminal with the higher resistance to the wiper is the 5 volt reference input to the sensor and should connect to the orange wire (Vehicle pin 11) in our harness.

General Guidelines for setting up Throttle Position Sensors

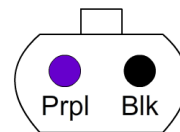
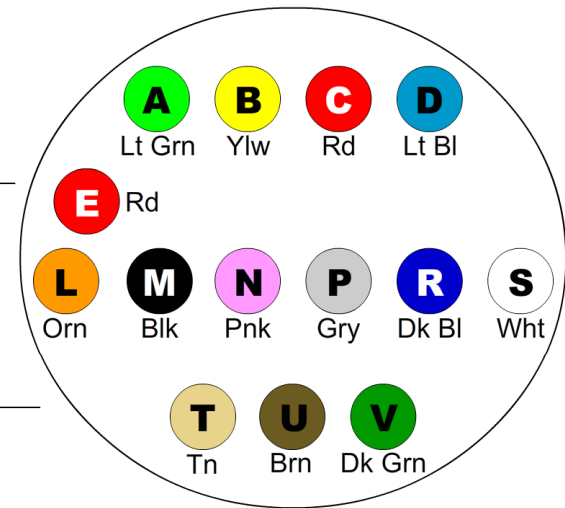
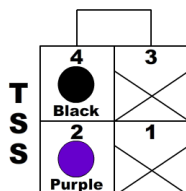
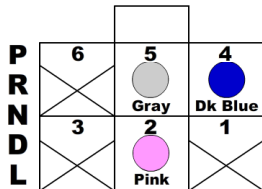
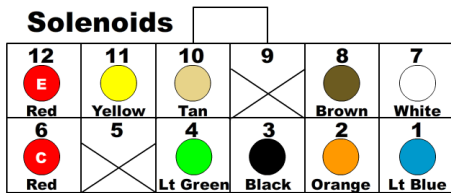
The linkage to a throttle position sensor should use most of the rotating range of the throttle position sensor. This can be adjusted by changing the ratio of the linkage. Also, please make sure that a small amount of the sensor's travel is being used at idle. You will want a TPS voltage at idle of at least 0.35 volts. This is done to allow the controller to detect problems with the TP sensor. For instance, if the sensor becomes disconnected or the linkage falls off, the TPS voltage will fall below the set idle threshold. If the TPS voltage goes below the idle threshold, the controller assumes that the TPS is bad and will switch to failsafe line pressure and default shift points. This is done to prevent damage to the transmission from low line pressure and will provide a safe "limp home" mode.

TRANSMISSION DIAGRAMS

4L80E / 4L85E



BACK VIEW
(FRONT PLUGS IN, WIRES COME OUT OF THE BACK)



OPTIONAL FEATURES

Speedometer Output

We have provided an adjustable speed signal output on the tan wire on pin 12 of the vehicle connector that can be used to drive an electronic speedometer, if desired. Use of this output signal is not necessary, but it can be helpful if your speedometer can not be driven correctly from another source. This signal can also be corrected for different gear ratios and tire heights, so it can be very useful in some applications. The speedometer output signal is normally provided as a 5 Volt square wave, but it can also be configured to provide a 12 Volt square wave when required. For more information, see the Jumper Settings document on USshift.com under Support / Manuals & Publications.

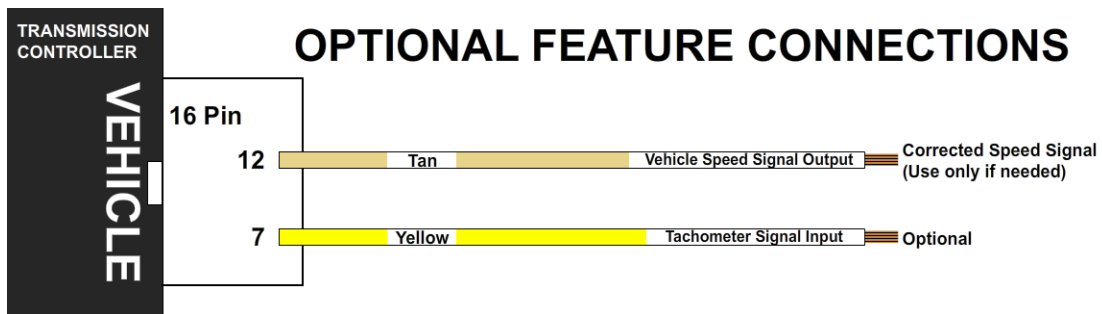
There are two speedometer output modes that can be selected via the tuning software or the built-in tuning interface. It can also be disabled if not used. In the replicated speed sensor output mode, the speedometer output provides an amplified and squared version of the original speed sensor signal. Replicated mode is useful for applications that require a signal with the exact pulse rate of the speed sensor being used. There is also an adjustable corrected mode, which is very useful for correcting speedometer errors or providing unusual speedometer output signal frequencies.

Adjustable mode is essentially the electronic equivalent of a ratio corrector gear box for a mechanical speedometer. In adjustable mode, the correction factor is entered as a decimal number. The correction factor is the frequency ratio of the speedometer output frequency to the speed sensor frequency. This number can be easily adjusted to synchronize the vehicle speedometer to a GPS or other instrument.

In some cases, such as driving the input of an engine control ECU, the 0-5 Volt (or 0-12 Volt) square wave signal will not be able to properly drive the device that it is connected to. This is because some devices are only designed to accept an input signal from a variable reluctance (magnetic coil) sensor. Because of this, they may expect the input signal to swing below ground (0 Volts). To drive this type of input, use the included capacitor to "offset" the DC value of the speedometer signal to 0 Volts. As a result, the driven device will see a -2.5V to +2.5V signal instead of 0V to 5V. To make this signal work, install the provided 10 μ F, 25v, non-polar, electrolytic capacitor inline between the speedometer output of the Quick 2 and the device that it is driving. To install the capacitor, cut the speedometer output wire and solder a capacitor lead to each of the two cut wires.

Tachometer Signal Input

The tachometer input can be connected to a digital tachometer output from an engine computer or the tachometer output from an MSD ignition or similar CDI (Capacitive Discharge Ignition) system, but NEVER to the coil outputs of a CDI system like MSD. For breaker points (or conventional electronic ignition systems such as GM HEI, Ford Duraspark or TFI), it can be connected to the coil negative terminal. For COP (Coil on Plug) ignition systems that do not have a conventional tachometer output (such as later Mustang engines), one of the coil trigger wires can be used, but the update rate will be slow. A better approach for such applications would be to use a tachometer adapter such as the AutoMeter 9117. DO NOT run the tachometer signal wire in the same wiring harness as the speed sensor as this can cause interference.



BUILT-IN DISPLAY

The built-in Quick 2 User Interface allows most sensor values to be viewed, while also allowing the transmission to be manually shifted. With firmware version 4.1.3 or later, self-contained, initial setup and basic tuning of transmission settings is also possible via the tuning menu. In addition, a computer running our included tuning software can be connected to provide advanced tuning options (see Shiftware section).

MAIN MENU

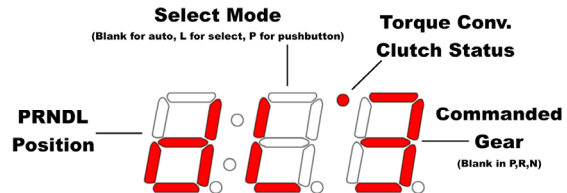
In the main menu, the three letter mode name is shown on the display first. Then, the long-form name will scroll across the screen. After the name scrolls, the value for that item will be shown. You can repeat the name of most items by pressing the function knob, other than "Status", "Setup" and "Tuning" modes.


 **Display Off**

In this mode the display is blank and nothing is shown.

 **StA = Status**

This mode is the default display mode. The first character indicates the selected transmission range (P, r, n, o, d, 2, 1), or "E" if there is an error with the PRNDL switch (range sensor or pressure switch module). The second character is normally blank, but will show "P" if Manutronic Pushbutton shift mode is active or an "L" if Dyno Test mode is active. The third character indicates the currently commanded or selected transmission gear. There is also a small dot at the upper-left-hand corner of the third display character (similar to an apostrophe). This dot will illuminate when the torque converter clutch is engaged.



 **dyn = Dyno Test**

In status mode, double-clicking the function knob will activate or deactivate Dyno Test mode. When activated, dyno test will scroll for 2.5 seconds, then return to the status screen with the addition of an "L" in the center of the display. This mode enables manual gear selection and prevents unwanted up and down-shifts. This is for diagnostic use and for commanding a specific gear while operating your vehicle on a dynamometer. No additional connections or configuration options are required to use dyno test mode and the desired gear can be selected by rotating the function knob clockwise to up-shift or counter-clockwise to down-shift.

Torque converter clutch engagement can be commanded with a single-click of the function knob while in Dyno mode. The "L" in the center of the display will change to a "t" when the converter clutch has been manually engaged. Another single-click of the function knob will turn converter clutch engagement off. We have programmed a safe, minimum engine RPM into the controller, and converter clutch engagement will not occur, even if manually commanded, until this engine speed is reached.

(In pre-V5.6 firmware, this will be "SEL" instead of "dYn", which is simple gear selection without the torque converter clutch control features of Dyno Mode.)

 **AUt = Automatic Select**

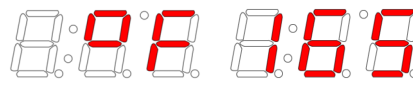
Indicates that you have left Dyno Test mode and are back in automatic transmission mode. When in Dyno Test mode, double-click the function knob to return to automatic mode. AUT will be displayed for 2.5 seconds, then return to the normal status screen.

 **SPd = Road Speed**

Indicates vehicle speed (from the output shaft speed sensor or vehicle speed sensor) in MPH. (KPH if the metric system is selected in the system settings of the tuning software.)

 **tPS = Throttle Position**

Indicates throttle position sensor value in volts.

 **°F/°C = Transmission Fluid Temperature**

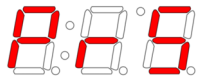
Indicates current transmission fluid temperature in degrees Fahrenheit (or Celcius if using metric). The degree symbol is represented on the display by a raised lower-case "o".

 **tAC = Engine Tachometer**

Indicates engine RPM. 0-999 RPM is displayed as actual RPM. Above 1000 RPM will be displayed with a decimal. (2.30 = 2300 RPM)

 **bAt = Battery Voltage**

Indicates vehicle battery condition in DC volts.



PrS = Commanded Line Pressure

Indicates the transmission line pressure that the controller is currently commanding in PSI. These values are based upon the normal OEM parameters for the pressure control solenoid and main regulator valve line-up for the selected transmission. The actual line pressure may vary from this value, especially if changes have been made to the main pressure regulator valve, the main regulator valve spring, the main regulator boost valve, or the pressure control (EPC) solenoid.



SEt = Set Up System

The setup system menu allows you to easily make the required initial calibrations after installation. Press the knob once to enter the setup menu. The changes made in the menu take effect in real time and are saved to the tune calibration after exiting each item. See the "Setup Menu" section below for more information.



tnE = Tuning Settings

Allows the most commonly-used settings (such as shift points and shift firmness) to be adjusted directly on the controller. Press the knob once to enter Tuning Mode. This mode allows you to make real-time adjustments to your tune calibration. See the "Tuning Menu Options" section below for more information.



SrE = Software Revision ID

Indicates the software and hardware revision of the controller. "MajorRev.MinorRev.HardwareRev" (ie: 4.1.3)



SETUP MENU OPTIONS

All of these settings can be changed by entering "adjustment mode" (by pressing the knob once) and turning the knob clockwise to increase the setting or counter-clockwise to decrease it. Changes will be effective immediately and you can return to the setup menu by pressing the knob a second time.



tPS = Calibrate Throttle Position

This is a required step before driving the vehicle for the first time. Clicking this item will begin the throttle position calibration. Follow the steps as they appear on the display. For more details on this procedure, see "Step 7: Throttle Position Sensor Calibration" on page 9.



CLr = Clear Learning

Clicking on this item will allow you to choose which learned data to clear. You might want to use this if something has changed with the vehicle or transmission to allow the controller to re-learn the data. The options are "No", which exits without clearing anything, "TCC Learn", "Shift Timing", and "All".



SPO = Speedo Out Configure

Click the knob to enter adjustment mode. It will either display "OFF" (output disabled), "rEP" (replicated speed sensor output), or a decimal number for adjustable output mode. Double-clicking the knob will change modes in the order of OFF, rEP, then the correction factor (such as 1.25) for adjustable mode. Turning the knob will change the correction factor. The effect will immediately be visible on the vehicle's speedometer.

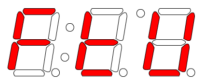


rEt = Return

Click this to return to the main menu.

TUNING MENU OPTIONS

All of these settings can be changed by entering "adjustment mode" (by pressing the knob once) and turning the knob clockwise to increase the setting or counter-clockwise to decrease it. Changes will be effective immediately and you can return to the tuning menu by pressing the knob a second time. The new settings will be saved to the current active tune when the return ("rEt") option is displayed and the knob is clicked. If the ignition is turned off before "rEt" is selected, the new changes will be lost.



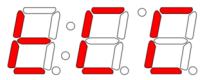
FtU = Full Throttle Upshift Speed

This setting is used to adjust the wide-open throttle shift RPM for all shifts. The RPM value is displayed in thousands (e.g. 5.25 = 5250 RPM). If you are in doubt, start on the low side. Press the knob once to enter the adjustment mode and change this setting. (Press once again to return to the menu.)



LtU = Light Throttle Upshift Speed

This setting is used to adjust the light-throttle shift RPM for all shifts. The value shown is the approximate closed-throttle RPM for the 2-3 upshift and is displayed in thousands (e.g. 1.32 = 1320 RPM). The 1-2 and 3-4 shifts are scaled proportionally with the 2-3 shift RPM as it is changed. Press the knob once to enter adjustment mode and change the setting. (Press again to return to the menu.) As the shift points are modified at either light or full throttle, the values in between are automatically scaled proportionally. The light throttle RPM adjustment has the greatest effect at closed throttle and the influence of this adjustment diminishes to zero as you approach wide-open throttle. The reverse is true for the full-throttle RPM adjustments.



tCC = Torque Converter Clutch Engagement Speed

This setting is the transmission input shaft RPM (1.70 = 1700 RPM) at which the torque converter clutch will engage (providing that all other conditions for engagement are met). Press the knob once to enter the adjustment mode to change this setting. (Press again to return to the menu.)



1:2F, 2:3F, 3:4F = Light Throttle Firmness

This setting is used to adjust the light-throttle shift firmness for the chosen upshift. Value is in commanded line pressure (PSI). Higher values provide firmer shifts. This value should not be adjusted until after the shift points are set since the shift points affect shift feel. If you are in doubt, try higher values for this setting. Press the knob once to enter adjustment mode and change this setting. (Press again to return to the menu.)



HtF = Hard Throttle Firmness

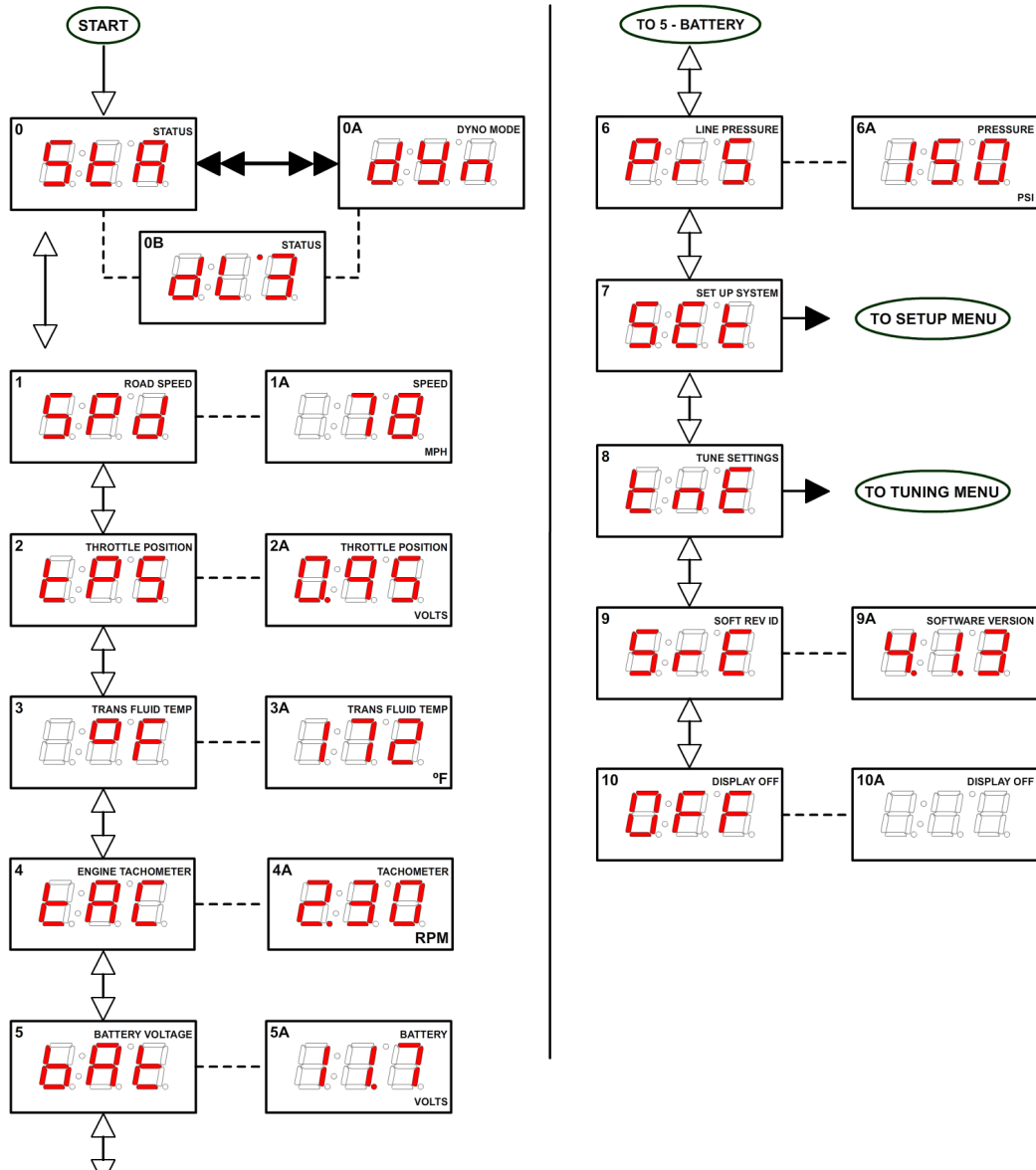
This setting is used to adjust the heavy-throttle shift firmness for all upshifts in tandem. Value is in commanded line pressure (PSI). Higher values provide firmer shifts. This value should not be adjusted until after the shift points are set since the shift points affect shift feel. If you are in doubt, try higher values for this setting. Press the knob once to enter adjustment mode and change this setting. (Press again to return to the menu.)



rEt = Return

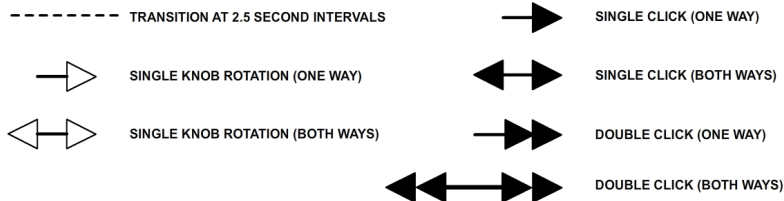
Saves the changes to the currently-selected table and exits to the main menu. If the ignition is turned off before "RET" is executed, your changes will be lost.

USER INTERFACE MAP

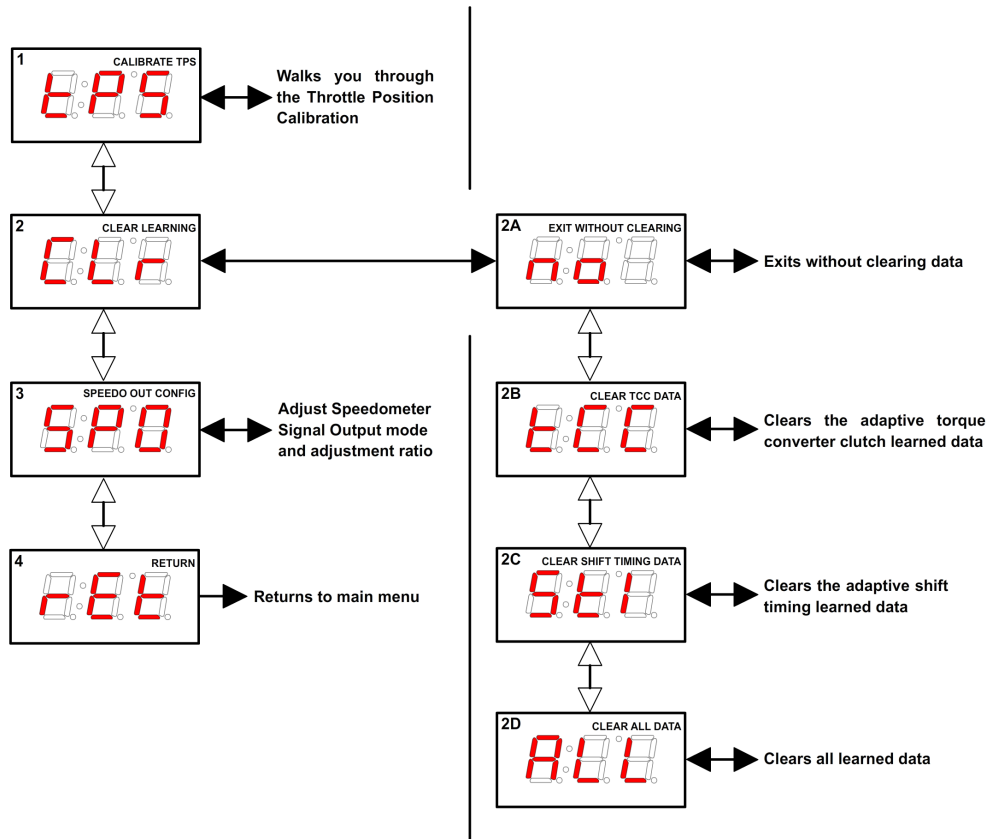


After turning the knob to a menu item and waiting two seconds, a long-form title will scroll across the screen.

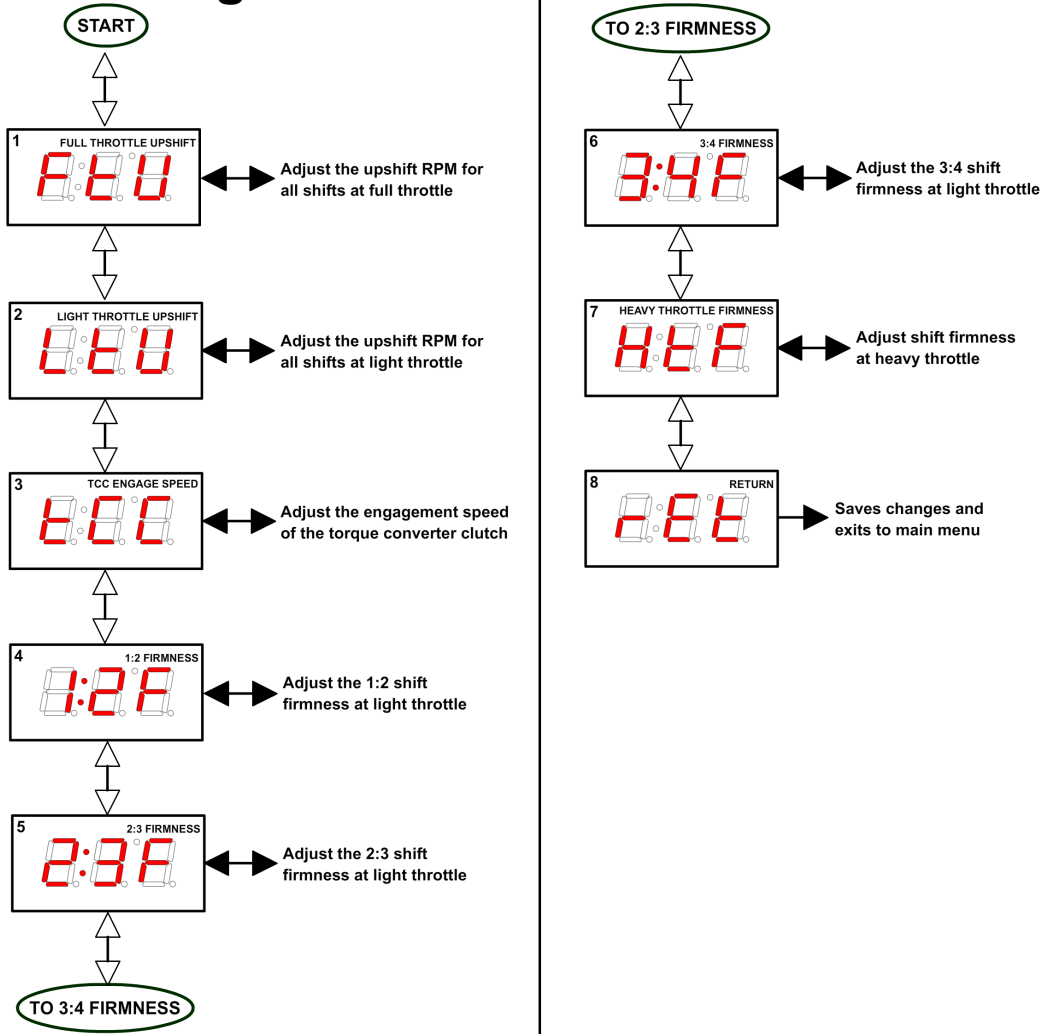
LEGEND



Setup Menu



Tuning Menu





SHIFTWARE

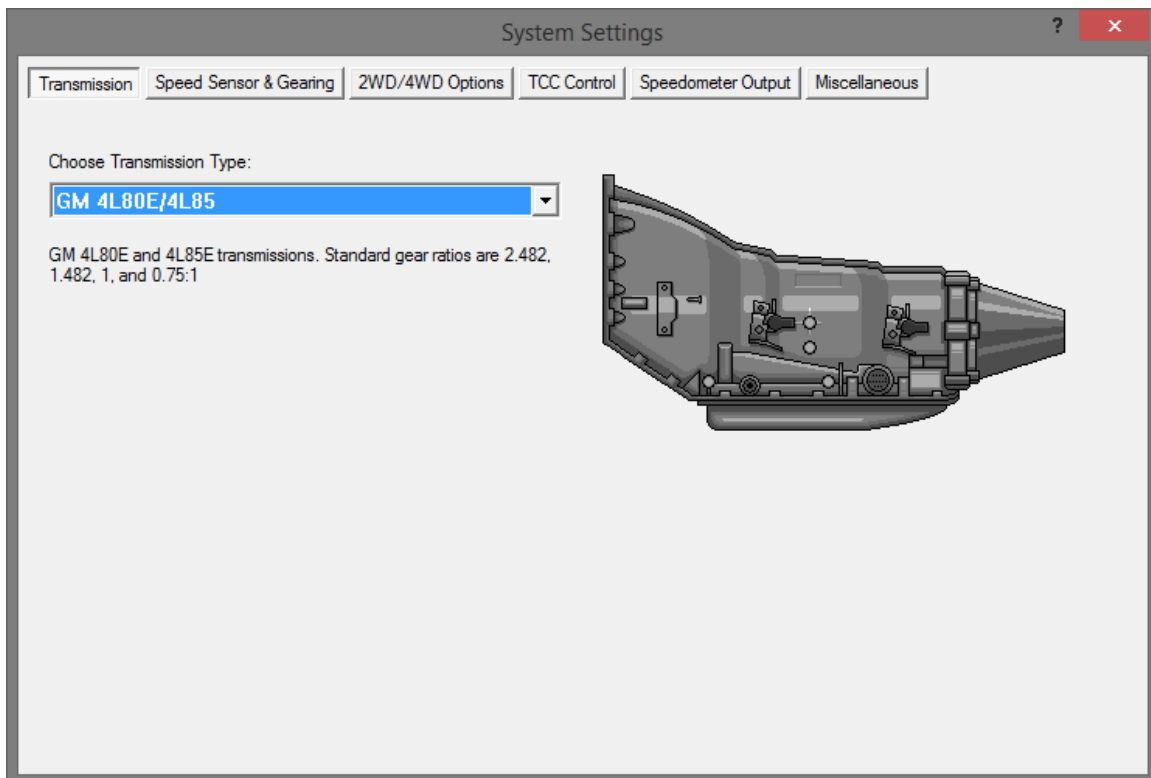
Introduction

Using the Shiftware software allows you to modify the way your Quick 2 Transmission Control System behaves. You can customize shift-points as well as monitor and diagnose the Quick 2 unit in real-time.

Setup

To create a calibration for the Quick 2, it is best to start with one of the standard calibrations which are included with the software. To load a standard configuration for your transmission, click the **Open**  button on the toolbar, then browse to the folder where the transmission calibration files are located. (Default location is C:\Shiftware\). The files are named according to the transmission and RPM range and have the .btc file extension. Choose the calibration file and click **Open**.

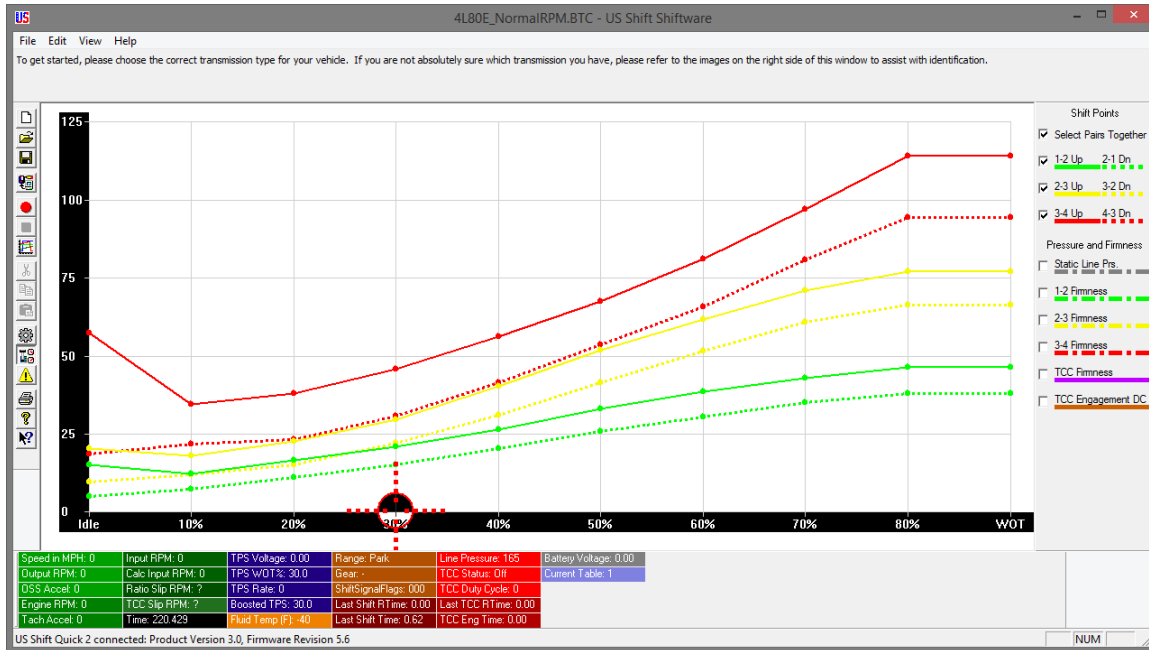
Once the calibration file is loaded, click the **System Settings**  button on the toolbar to check the settings and make sure that they are correct for your transmission. The System Settings window has several tabs within it. Click each one to see each section of settings specific for your transmission.




The System Settings Window

Customize

The main window is where all of the shift points and line pressure editing is done. The graph displays the up-shift and down-shift speeds in relation to throttle position for each shift. It also displays the line pressure & firmness curve in relation to throttle position. The line pressure curve is displayed in PSI, so the higher the curve, the more firm shifts will be. You can use the checkboxes on the right to turn on the curves for individual shift firmness and adjust them independently.



The Main Window

You can get help on anything by clicking the **Question**  button (or the F1 key) and then clicking on an item. This can be used in any area of the software. The help messages in the settings pages are transmission-specific and are more like getting professional advice than normal help tips.

The graph has ten points from left to right, 0 being idle and 9 being Wide-Open-Throttle (WOT). On the left side of the graph is the shift speed. When you hover over a graph point, you can also see the corresponding shift speed in RPM or the applicable unit values for items other than shift points. Click on a point in the graph to select it.

If **Select Pairs Together** is enabled, then the corresponding down-shift point will be automatically selected along with the up-shift point. This can be turned off by clicking the **Select Pairs Together** **Select Pairs Together** checkbox on the right. You can select multiple points by holding CTRL while clicking the points or a range of points by holding SHIFT and clicking the two points on each end. You can move between adjacent points using the LEFT and RIGHT arrow keys. Once a point (or points) is selected, you can drag it with the mouse to raise and lower its value. A yellow box will appear in the graph telling you what the value of the point is.


Adaptive Learning

By default, the Quick 2 will learn the shift and TCC timing characteristics of your transmission. It will complete a learning cycle over the first few hard-throttle passes and will use the learned data to optimize shifts. For learning to occur, the tachometer input signal must be connected and functioning properly. During the learning cycle, you may notice unusual TCC operation. This is normal and will end once learning is complete. Once learned, the data will not change unless it is erased using the clear (CLr) command on the controller's display. Clearing the data will cause another learning cycle to begin.

For optimum accuracy, learning should be done at the same transmission fluid temperature that it will be run at during normal operation. Once learned, shift point accuracy will only be limited by the consistency of your transmission's valve body.



If you wish to disable learning, enter Settings in the tuning software and switch to the Miscellaneous tab. Uncheck **Enable Learned Shift Timing** **Enable Learned Shift Timing**. This will stop the controller from using learned data, but will not erase the learned data. This would be useful if you plan to make changes to the transmission or are unable to complete a proper learning cycle.

Save & Load

Once you have created your calibration, you can save the file to your hard drive or an external storage device. To save, click the **Save**  button on the toolbar. Then, browse to the location where you want it saved and click **Save**. Use "Save As" under the FILE menu to leave the original file unchanged and create a new version. Type the desired filename and click **Save**. Files are saved with a .btc extension.

To load a calibration file, click the **Open**  button on the toolbar. Then, browse to the file and click **Open**.

Writing a Calibration to the Quick 2

For the changes you've made to take effect on the Quick 2 controller, you first must write the calibration to the unit. Connect the Quick 2 to your computer using a standard USB cord (Type A to Type B). Click the **Write Calibration**  button on the toolbar to write the calibration to the controller. The Quick 2 can now be disconnected from the computer and installed in the vehicle. When the Quick 2 unit is disconnected from the computer, the **Write Calibration**  button will be grayed out.

IMPORTANT INFORMATION

How to Avoid Errors

The Shiftware software gives you complete freedom and flexibility to customize your shifting calibration however you want. This freedom requires diligence to avoid errors.

It is *very* important that the up-shift and down-shift curves for a given gear do not cross. The up-shift point at any throttle position should usually be at least 15% greater than the down-shift point. For instance, if the 2-3 up-shift point at ½-throttle is 45MPH, then the 3-2 down-shift point should usually be less than 40MPH.

The “On-Off” differential between up-shift and down-shift points is called Deadband (also known as Hysteresis). The more deadband you use for your shift points, the more stable the system will be. Not using enough deadband can result in erratic shift behavior. Too much deadband will result in sluggish behavior due to a reluctance to down-shift.

Pay close attention to the interaction between different shifts. Overlapping the 1-2 and 2-3 shifts can cause skipped gears and other drivability problems.

Also note that torque converter slip at low speeds renders engine RPM values meaningless. It is usually desirable to have light-throttle shift points within a low RPM range. In this case, it is best to base light-throttle shift points on vehicle speed rather than engine RPM (as most auto manufacturers do).

TROUBLESHOOTING ERROR MESSAGES

WARNING! If the transmission does not begin to operate correctly within the first few feet of the road test, **STOP** immediately, check the troubleshooting guide, and call Baumann Electronic Controls if you need assistance. In some cases, just a few blocks of operation with low fluid pressure can destroy a transmission.

Error Messages

The following error messages will scroll on the controller's display when faults are detected. For more detailed error messages, you can also view the **Controller Fault Display** in the tuning software. The software is not limited to currently set faults, but can show fault history as well. History is cleared when the controller powers down completely (ignition turned off and USB cable removed from computer.) Error messages will not be shown while in tuning mode. It is a good idea to periodically check the display for errors as you drive, so it is wise to consider an accessible mounting location. Scan the QR Code to be directed to the corresponding troubleshooting guide webpage or visit t1x.us.



Err. bAttEry Lo

The voltage to the controller has dropped below 8 volts.



Err. bAttEry High

The voltage to the controller is above 17.2 volts.



Err. PSoL. CurrEnt HI

An over-current condition was detected with the pressure control solenoid. The controller will attempt to disable the pressure control solenoid until the ignition is turned off. If this fault is detected, the vehicle should not be driven until it is corrected. If you must drive with this failure, it is recommended that you disconnect power from the system by removing the 7.5A fuse to insure that the transmission will stay in default mode regardless of any wiring problems that may exist.

Err. PSoL. CurrEnt Lo

Current measured in pressure control solenoid was too low.



Err. SoL.1 CurrEnt HI (Can be solenoid 1-3)

An over-current condition was detected with one of the solenoid banks. The solenoids on bank 1 include shift solenoid B (or 2) and the second TCC (ON/OFF) solenoid (GM 4L60E transmissions only). The solenoids on bank 2 include shift solenoid A (or 1). The solenoids on bank 3 include the TCC PWM solenoid and the 3-2 downshift control solenoid (GM 4L60E transmissions only). The controller will attempt to disable the solenoid bank with the over-current condition until the ignition is turned off.

Err. SoL.1 CurrEnt Lo (Can be solenoid 1-3)

Current measured in solenoid bank (1-3) was too low.



Err. TPS Lo-run SEtuP

The Throttle Position Sensor is in fault mode due to the voltage being below the idle threshold value that was set. Run TPS calibration in the setup menu.



Err. TFT Short

The TFT sensor voltage is too low. A possible cause of this could be that it is shorted to ground.



Err. TFT OPEn

The TFT sensor voltage is too high. The TFT sensor circuit could be open.



Err. trAnS Hot

The temperature in the transmission is above the allowed threshold (which can be adjusted in the tuning software).



Err. OSS FAILure

The Output Shaft Speed Sensor is open or missing.



Err. ISS FAILure

The Input Shaft (Turbine) Speed Sensor (if equipped) is open or missing.



Err. tbL1 Corrupt (Can be table 1-4)

A Checksum error has been found in the table corresponding to the number shown. (On Quick 6, this error will force a hard failsafe mode until it is fixed.) It will also disable saving Setup Menu changes for the bad table and disable the tuning menu for the bad table. Connect the controller to a PC and load a calibration using Shiftware.



Err. tCC SLIP

Torque converter clutch slip detected when fully engaged.



Err. TrAnS. SLIP

Transmission appears to be slipping in at least one gear.



Err. FULL PrESS. SLIP

Transmission continued to slip after maximum line pressure was commanded.



Err. rPEATD. SLIP

Transmission slip was detected more than twice in this drive cycle (max. line pressure latched).



Err. rAtio High

Transmission gear ratio appears to be too high in at least one gear.



Err. PrndL out oF rAngE

Sensor voltage or duty cycle out of tolerance limits, but within approximate range.



Err. PrndL SignAL Lo

Sensor voltage or duty cycle low.



Err. PrndL SignAL HlgH

Sensor voltage or duty cycle high.



Err. no PrndL SignAL

PWM signal for range sensor not detected.

Err. bAd PrndL=XX-XX

DTR or PSM signal combination not valid. XX-XX indicates high/low status of all 4 DTR pins (1 or 0)

Err. Ford dtr Lo

Voltage from 270 Ohm resistor in Ford DTR sensor measures too low.

Err. Ford dtr HlgH

Voltage from 270 Ohm resistor in Ford DTR sensor measures too high.

Err. Clutch Learn

Applies to Quick 6 only. The clutch learning data is either corrupt or missing. Run the clutch learning procedure from the SETUP menu. See page 40 for details.

SHiFt SOLx SHOrted

Shift Solenoid X resistance measured too low during the power-on solenoid check. (X identifies solenoid A – F.)

SHiFt SOLx OPEn

Shift Solenoid X resistance measured too high during the power-on solenoid check. (X identifies solenoid A – F.)

PrESS SOL. SHOrted

Line Pressure Control Solenoid resistance measured too low during the power-on solenoid check.

PrESS SOL. OPEn

Line Pressure Control Solenoid resistance measured too high during the power-on solenoid check.

TCC SOL. SHOrted

Torque Converter Clutch Control Solenoid resistance measured too low during the power-on solenoid check.

TCC SOL. OPEn

Torque Converter Clutch Control Solenoid resistance measured too high during the power-on solenoid check.

Err. HI Slde dr. SHOrted

The high-side output driver appears to be shorted on. Contact Baumann Electronic Controls technical support for assistance.

Err. Lo Slde dr. SHOrted

A low-side output driver appears to be shorted on. Contact Baumann Electronic Controls technical support for assistance.

Err. CurrEnt SEnSE

Measured low-side and high-side currents do not match. Contact Baumann Electronic Controls technical support for assistance.

CONTACT

If you have any questions, problems, or product orders,
don't hesitate to call our customer service line.

(864) 646-8920

(Monday-Friday 10AM-6PM EST).

If no one is available, please leave a detailed message and we will reply promptly. Whenever possible, we will try to return urgent technical support calls left after hours or over the weekend.

You can also email customer service at **support@usshift.com**



Scan this code to copy the customer service phone number and email address to your phone.